

# Brochure Holders



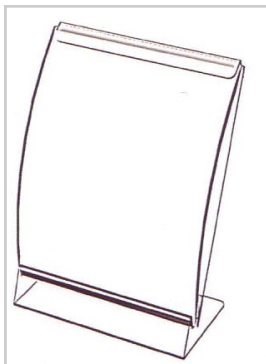
Angled Sign Display

CODE	SIZE	MEASUREMENTS	PRICE (inc GST)
3D460	A6	104mm(w)x148mm(h)	
3D459	A5	148 mm (w) x 210 mm (h)	
3D462	A4	210 mm (w) x 297 mm (h)	
3D463	A3	297 mm (w) x 420 mm (h)	
T2711CA	A6#	104 mm (w) x 148 mm (h)	
T2710CA	A5#	148 mm (w) x 210 mm (h)	
T2709CA	A4#	210 mm (w) x 297 mm (h)	
T2705CA	A3#	297 mm (w) x 420 mm (h)	
# Thin Gauge			



Flat Feet Menu Holder

CODE	SIZE	MEASUREMENTS	PRICE (inc GST)
3D015	DL	100 mm (w) x 210 mm (h)	
3D016	*DL	210 mm (w) x 100 mm (h)	
3D411	A6	104 mm (w) x 148 mm (h)	
3D010	A5	148 mm (w) x 210 mm (h)	
3D008	A4	210 mm (w) x 297 mm (h)	
3D007	*A4	297 mm (w) x 210mm (h)	
3D014	A3	297 mm (w) x 420 mm (h)	
T2725CA	#A5	148 mm (w) x 210 mm (h)	
T2724CA	#A4	210 mm (w) x 297mm (h)	
T2734CA	#*A4	297 mm (w) x 210mm (h)	
T2735CA	#*A5	210 mm (w) x 148mm (h)	
T2740CA	#	280 mm (w) x 180mm (h)	
* Landscape			
# Thin Gauge			



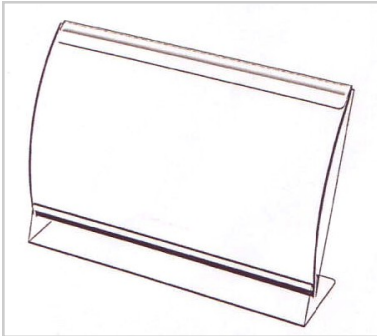
Curved display

CODE	SIZE	MEASUREMENTS	PRICE (inc GST)
IPD-42	A6	104 mm (w) x 148 mm (h)	
IPD-44	A5	148 mm (w) x 210 mm (h)	
IPD-46	A4	210 mm (w) x 297 mm (h)	
IPD-48	A3	297 mm (w) x 420 mm (h)	

148 Sir Donald Bradman Drive,  
Hilton, SA 5033

P 08 8223 1461 F 08 8223 1482  
E sales@displayline.com.au  
W www.displayline.com.au

# Brochure Holders



## COUNTER PROMOTER—LANDSCAPE

CODE	SIZE	MEASUREMENTS	PRICE ( inc GST)
IPD-43	A6	148 mm (w) x 104 mm (h)	
IPD-45	A5	210 mm (w) x 148 mm (h)	
IPD-47	A4	297 mm (w) x 210 mm (h)	



## M-STANDS

CODE	MEASUREMENTS	PRICE (inc GST)
T2700CA (Clear)	50 X 50 X 25MM	
T2700BK (Black)	50 X 50 X 25MM	
T2700WH (White)	50 X 50 X 25MM	



## SMALL TICKET HOLDER

CODE	COLOUR	PRICE (inc GST)
T1726TR	Transparent	



## SMALL TICKET HOLDER Packs of 10

CODE	COLOUR	PRICE (inc GST)
2230-10	Transparent	(pkt 10)



## EXTERNAL BROCHURE POCKET

CODE	MEASUREMENT	PRICE (inc GST)
790901	254 mm (w) x 333 mm (h) x 114 mm (d)	

# Business Card Holders



BUSINESS CARD HOLDER  
PORTRAIT, FITS 50 CARDS  
**CODE M4000CA**  
**COLOUR CLEAR ACRYLIC**



BUSINESS CARD HOLDER  
LANDSCAPE, FITS 50 CARDS  
**CODE M4001CA**  
**COLOUR CLEAR ACRYLIC**



BUSINESS CARD HOLDER  
4-TIER, FITS 200 CARDS  
**CODE M4002CA**  
**COLOUR CLEAR ACRYLIC**



BUSINESS CARD HOLDER  
8 COMPARTMENT  
**CODE 70801**  
**COLOUR CLEAR ACRYLIC**  
**\$1**



## Business Card Holders (25mm Deep)

Vertical Flatback	XBCHVF	90mm x 58mm
Vertical Counter	XBCHVT	90mm x 58mm
Vertical Clip-on	XBCHVC	90mm x 58mm
H/zontal Flatback	XBCHHF	60mm x 94mm
H/zontal Counter	XBCHHT	60mm x 94mm
H/zontal Clip-on	XBCH	60mm x 94mm

# Brochure Holders— Single



BROCHURE HOLDER  
FOR DL SIZED BROCHURES  
**CODE M4100CA**  
**COLOUR CLEAR ACRYLIC**



BROCHURE HOLDER  
FOR A5 SIZED BROCHURES  
**CODE M4101CA**  
**COLOUR CLEAR ACRYLIC**



BROCHURE HOLDER  
FOR A4 SIZED BROCHURES  
**CODE M4102CA**  
**COLOUR CLEAR ACRYLIC**



BROCHURE HOLDER A4  
**CODE XA4**  
**COLOUR CLEAR ACRYLIC**



FLAT BACK BROCHURE  
HOLDER A4  
**CODE XBHFBA4**  
**COLOUR CLEAR ACRYLIC**



BROCHURE HOLDER WIRE  
A4  
**CODE**  
**COLOUR CHROME**

BROCHURE HOLDER  
**CODE XA5**  
**COLOUR CLEAR ACRYLIC**

FLAT BACK BROCHURE  
HOLDERA5  
**CODE XBHFBA5**  
**COLOUR CLEAR ACRYLIC**

BROCHURE HOLDER TRI-  
FOLD  
**CODE XATF**  
**COLOUR CLEAR ACRYLIC**

FLAT BACK BROCHURE  
HOLDER TRI FOLDER  
**CODE XBHFBTf**  
**COLOUR CLEAR ACRYLIC**



BROCHURE HOLDER WIRE  
DL  
**CODE**  
**COLOUR CHROME**

# Brochure Holders – Multiple



BROCHURE HOLDER A4 , 4 TIER  
**CODE** 77441  
**COLOUR** CLEAR ACRYLIC  
 241Wx343Hx 216mmD



BROCHURE HOLDER A4 , 3 TIER  
**CODE** 77304  
**COLOUR** CLEAR ACRYLIC  
 241Wx321Hx203mmD



BROCHURE HOLDER A4 , 2 TIER  
**CODE** 77865  
**COLOUR** CLEAR ACRYLIC  
 245Wx265Hx125mmD



BROCHURE HOLDER A4 , 3 TIER  
**CODE** 77304  
**COLOUR** Chrome



BROCHURE HOLDER A5 , 4 TIER  
**CODE** 1320  
**COLOUR** Acrylic



BROCHURE HOLDER A5, 2 TIER  
**CODE** 77221  
**COLOUR** Acrylic



BROCHURE HOLDER DL, 6 TIER  
**CODE** 77401  
**COLOUR** Acrylic



BROCHURE HOLDER DL, 4 TIER  
**CODE** 1431  
**COLOUR** Acrylic



BROCHURE HOLDER DL, 2 TIER  
**CODE** 77862  
**COLOUR** Acrylic

# Brochure Holders



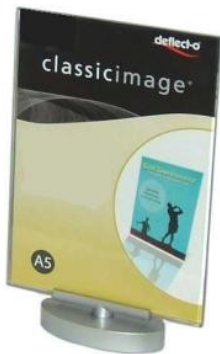
BROCHURE HOLDER DL  
**CODE; 78445**  
**COLOUR CHROME**



BROCHURE HOLDER  
 DL,9 Pocket  
**CODE MLS9**  
**COLOUR Acrylic**



BROCHURE HOLDER  
 DL,12 Pocket  
**CODE MLS12**  
**COLOUR Acrylic**



ROTATING BROCHURE  
 HOLDER A5  
**CODE 41144**  
**COLOUR CLEAR ACRYLIC/  
 S.CHROME**



ROTATING BROCHURE  
 HOLDER A4  
**CODE 41145**  
**COLOUR CLEAR ACRYLIC/  
 S.CHROME**



ROTATING BRO-  
 CHURE HOLDER  
 CURVED 2 SIDED  
 HOLDER  
**CODE 60801**  
**COLOUR CLEAR  
 ACRYLIC/S.CHROME**



ROTATING BRO-  
 CHURE HOLDER  
 DL  
**CODE 41143**  
**COLOUR CLEAR  
 ACRYLIC/  
 S.CHROME**

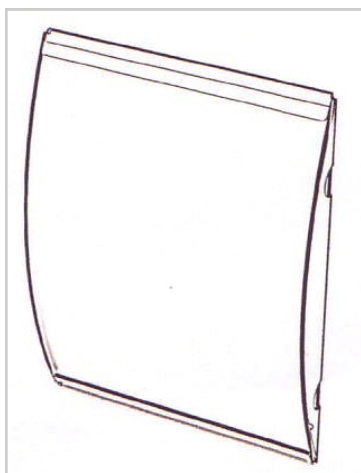


ROTATING BROCHURE  
 HOLDER DL MULTI PAGE  
 HOLDER  
**CODE 80601**  
**COLOUR CLEAR ACRYLIC/  
 S.CHROME**

# Brochure Holders

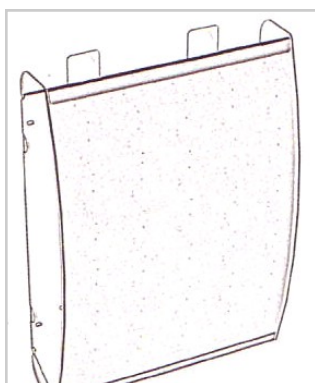


**BROCHURE HOLDER A4 3 TIER STACKABLE WALL UNIT**  
**CODE 77331**  
**COLOUR CLEAR ACRYLIC**



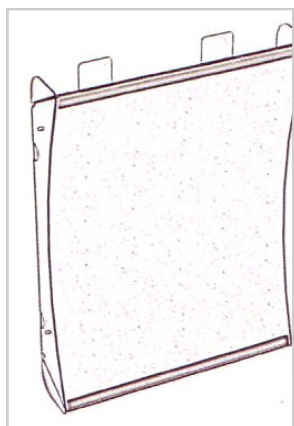
## THE PROMOTER POSTER HOLDER

CODE	SIZE	MEASUREMENTS	PRICE (inc GST)
IPD-74	A6	104 mm (w) x 148 mm (h)	
IPD-75	A5	148 mm (w) x 210 mm (h)	
IPD-76	A4	210 mm (w) x 297 mm (h)	
IPD-77	A3	297 mm (w) x 420 mm (h)	
IPD-78	A2	420 mm (w) x 594 mm (h)	
IPD-79	A1	594 mm (w) x 841 mm (h)	



## THE PROMOTER CONVEX WAVE

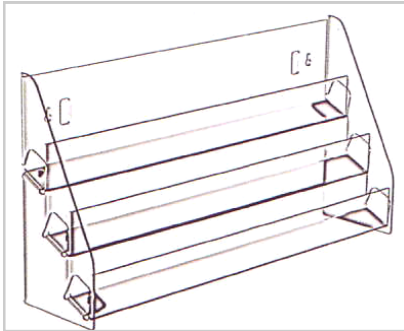
CODE	SIZE	MEASUREMEMNTS	PRICE (inc GST)
IPD-80	A4	210 mm (w) x 297 mm (h)	
IPD-82	A3	297 mm (w) x 420 mm (h)	
IPD-84	A2	420 mm (w) x 594 mm (h)	



## THE PROMOTER CONCAVE WAVE

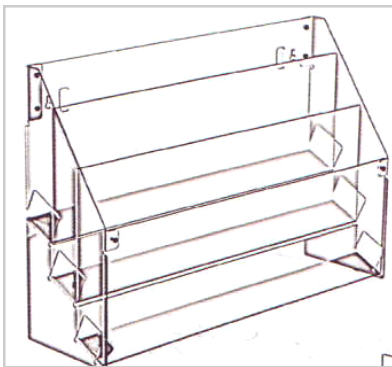
CODE	SIZE	MEASUREMENTS	PRICE (inc GST)
IPD-81	A4	210 mm (w) x 297 mm (h)	
IPD-83	A3	297 mm (w) x 420 mm (h)	
IPD-85	A2	420 mm (w) x 594 mm (h)	

# Brochure Holders



### 3 TIERED KNOCK DOWN CARD RACK

CODE	SIZE	MEASUREMENTS	PRICE (inc GST)
EAC06	590	590 mm (w) x 310 mm (h) x 140 mm (d)	
EAC09	890	890 mm (w) x 310 mm (h) X 140 mm (d)	
EAC12	1190	190 mm (w) x 310 mm (h) x 140 mm (d)	



### 3 TIERED KNOCK DOWN MAGAZINE RACK

CODE	SIZE	MEASUREMENTS	PRICE (inc GST)
EAM06	590	590 mm (w) x 400 mm (h) x 174 mm (d)	
EAM09	890	890 mm (w) x 400 mm (h) x 174 mm (d)	
EAM12	1190	1190 mm (w) x 400 mm (h) x 174 mm (d)	

# Brochure Holders– Wall Mounts



<b>WALL MOUNT MAGAZINE/BROCHURE HOLDER ( 8 A4 )</b>		
CODE	NO. REQUIRED	PRICE (inc GST)
XA4	x8	
XBS	x2	
XWB4	x1	



<b>WALL MOUNT MAGAZINE/BROCHURE HOLDER ( 4 X A4 HOLDER &amp; 8 TRIFOLD HOLDERS )</b>		
CODE	NO. REQUIRED	PRICE (inc GST)
XA4	x4	
XATF	x8	
XBS	x4	
XWB4	X1	



<b>WALL MOUNT MAGAZINE/BROCHURE HOLDER ( 16 TRIFOLD HOLDERS )</b>		
CODE	NO. REQUIRED	PRICE (inc GST)
XATF	X16	
XBS	X4	
XWB4	x1	

# Brochure Holders– Wall Mounts



## WALL MOUNT MAGAZINE/BROCHURE HOLDER ( 32 TRIFOLD HOLDERS )

CODE	NO. REQUIRED	PRICE (inc GST)
XATF	x32	
XBS	x8	
XWB9	x1	



## WALL MOUNT MAGAZINE/BROCHURE HOLDER ( 16 A4 HOLDERS )

CODE	NO. REQUIRED	PRICE (inc GST)
XA4	X16	
XBS	X4	
XWB9	x1	



## WALL MOUNT MAGAZINE/BROCHURE HOLDER ( 8 X A4 HOLDER & 16 TRIFOLD HOLDERS )

CODE	NO. REQUIRED	PRICE (inc GST)
XA4	x8	
XATF	x16	
XBS	x8	
XWB4	X1	

# Brochure Holders— Foyer Stands



16 Trifold Holders  
**Code—XFS1**



16 A5 Holders  
**Code—XFS4**



24 Trifold Holders  
**Code—XFS2**



32 Trifold Holders  
**Code—XFS3**



6 A4 Holders  
**Code—XFS6**



12 A4 Holders  
**Code—XFS7**



16 Trifold Holders  
6 A4 Holders  
**Code—XFS9**



16 A5 Holders  
6 A4 Holders  
**Code—XFS8**

# Brochure Holders - Carousels

---



18 A4 Brochure Holders—Code XC18A4  
24 A5 Brochure Holders—Code XC3  
36 Trifold Brochure Holders—Code XC36TF  
48 Trifold Brochure Holders—CodeXC2  
72 Trifold Brochure Holders—CodeXC72TF  
36 Trifold ,18 A4 Brochure Holders—Code XC36TF18A4  
18 A4 Brochure Holders— Code XC18A  
24 A4 Brochure Holders—Code XC24A4  
12 x Trifold, 8 x A4, 6x A5 Brochure Holders CodeXC1  
A4Carousel Stand- 3 x Spinners-Code XC3SA4  
A5 Carousel Stand - 3 x Spinners-Code XC3SA5  
A4Carousel Stand - 4 x Spinners Code XC4SA4

# Brochure Holder



4 Level Mobile Display Stand  
(Black)  
**Size** 440 (w)x 1380(h) x410 (d)  
**Code** DR1005



Black Mesh Exhibition A4 x 8  
**Size** 500 (w) x 1300 (h) x 340 (d)  
**Code**

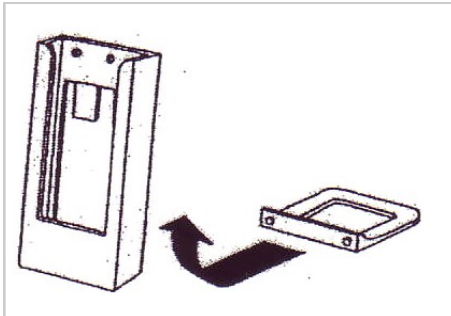


Acrylic Concertina Brochure Stand A4  
**Size** 260 (w) x 1600 (h) x 280 (d)  
**Colour** Acrylic with Chrome Base  
**Code** DR1007

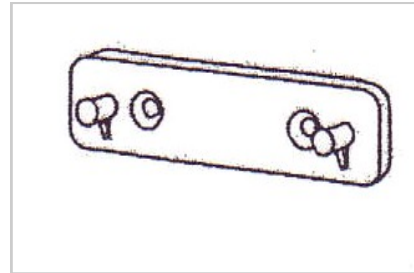


Concertina Brochure Stand A4 Acrylic  
Portable, Expandable, Locks and col-  
lapses with ease.  
**Size** 260 (w) x 1460 (h) x 440 (d)  
**Colour** Black  
**Code** DR1006

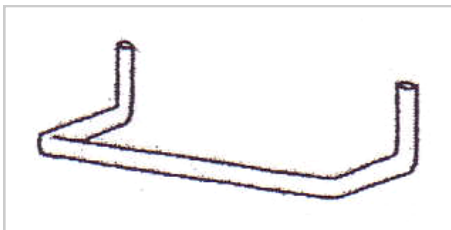
# Brochure Holder—Accessories



Expanda Base Stand  
**Code XBS**



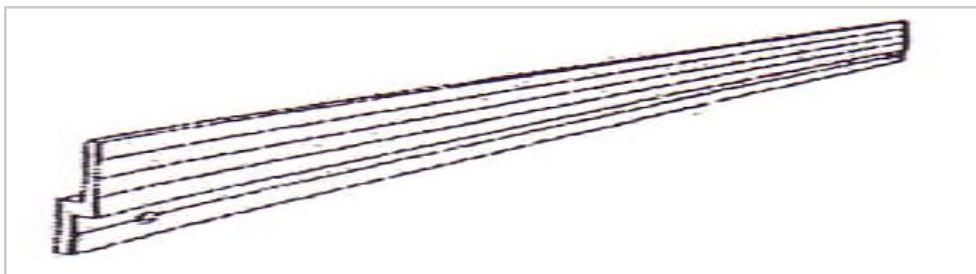
Single Wall Mounting Bracket (Acrylic)  
**Code XWMBP**



Slat Board Mounting Bracket  
**Code XMBW**  
**\$1.15 Inc GST**



Slat Board Connector Suit  
M4200/01/02/04/Range  
**Code S2560CA**



Multiple Wall Mounting Strip

**Size** 450mm  
**Code XWB4**

**Size** 895mm  
**Code XWB9**