

MAXe SERIES 4 INSTRUCTIONS

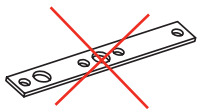
WHAT IS MAXe SERIES 4?

MAXe Series 4 is the latest evolution in the continued development of MAXe. Listening to feedback from our customers and staff we have now made MAXe even better.

The new connections are shown in the drawing and the benefits summarised below:

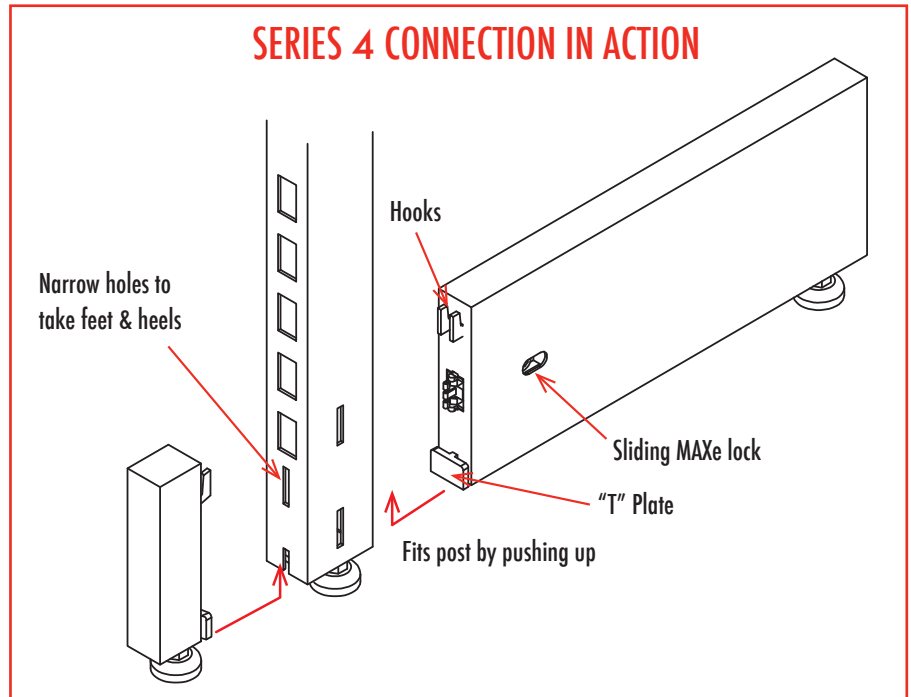
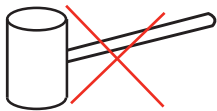
FASTER ASSEMBLY

No need to screw fixing plates

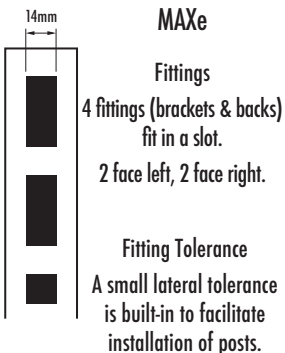
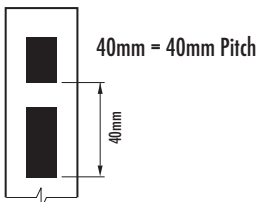


BETTER EXPERIENCE

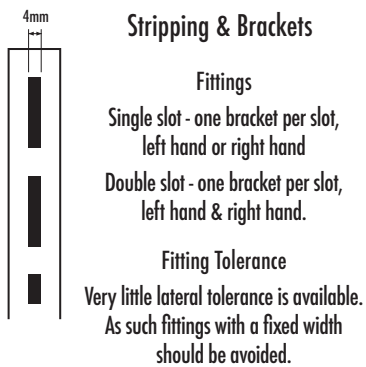
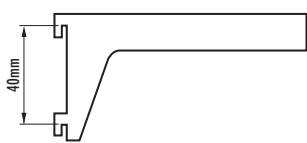
No need to use with a mallet



Uprights/Post/Strip



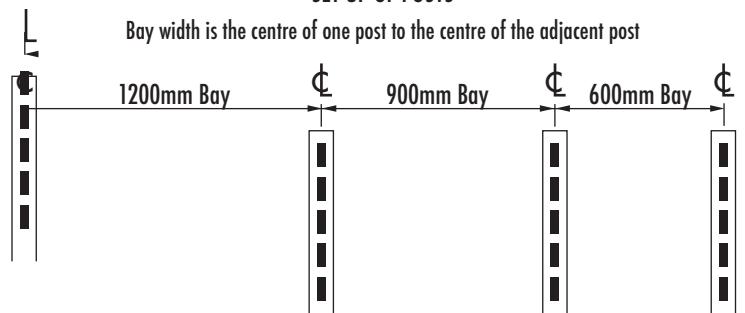
Brackets/Hangrails/Backrails



MAXe Bay Widths are 1200mm, 900mm & 600mm

SET UP OF POSTS

Bay width is the centre of one post to the centre of the adjacent post

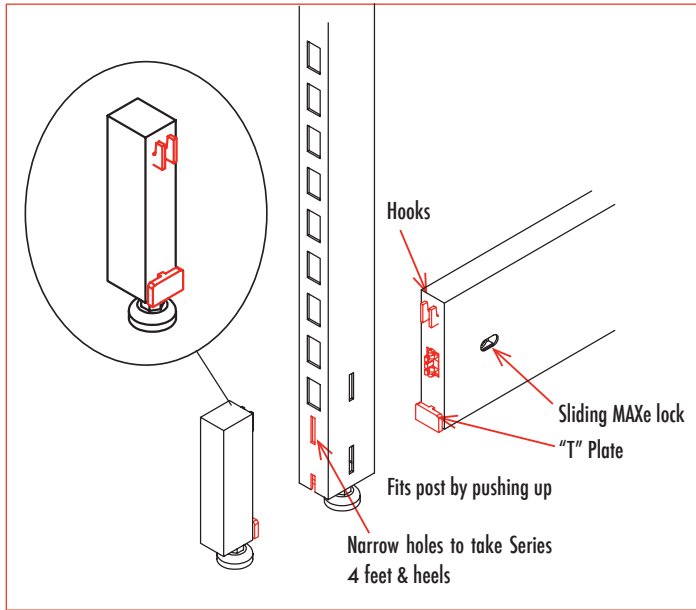


WHY THESE WIDTHS ARE USED?

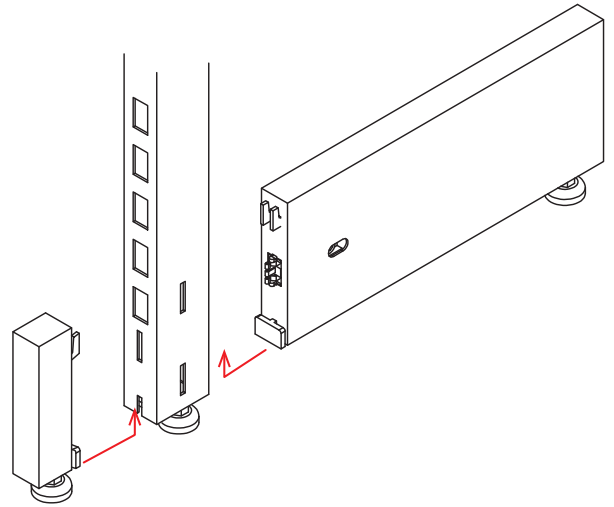
1. To minimise the cost of the shop fittings.
2. To minimise the cost of installation.
3. o maximise the use of the available wall space.
4. o maximise the use of the available floor area.

MAXe SERIES 4 ASSEMBLY INSTRUCTIONS **Single Sided**

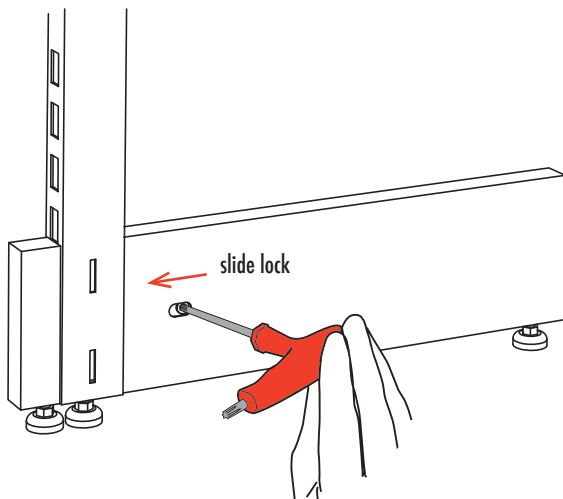
HOW TO CONNECT THE POST TO THE FOOT & HEEL FOR SINGLE SIDED APPLICATIONS



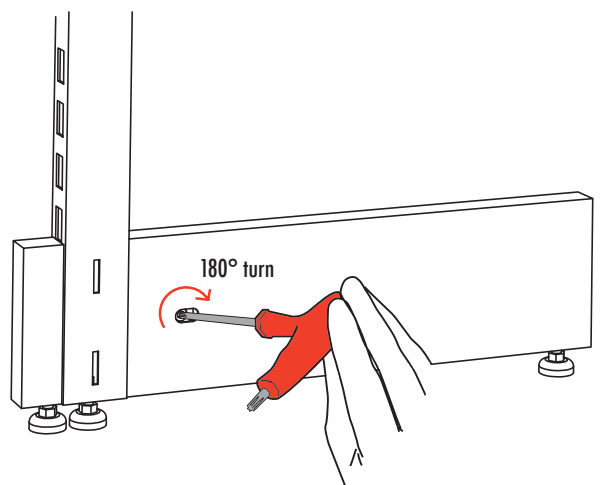
1 Connect the foot and heel to the post as shown below.



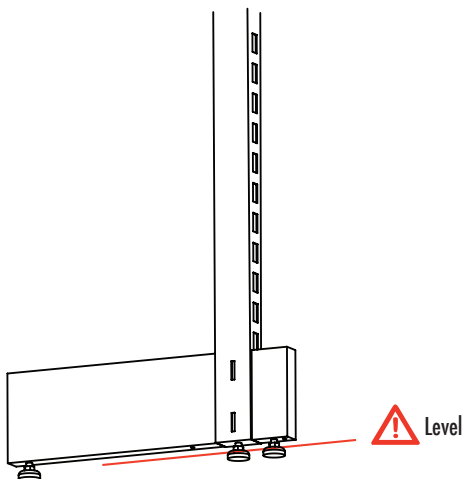
2 Use the MAXe tool to slide the lock in towards the post



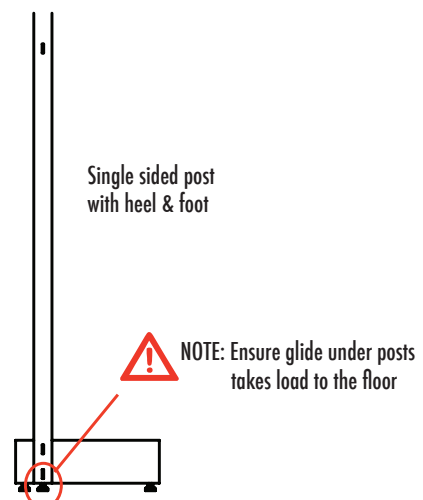
3 Then use the MAXe tool to lock the foot to the post, turn the lock 180° until tight



4 The foot, heel & post must be level as shown below

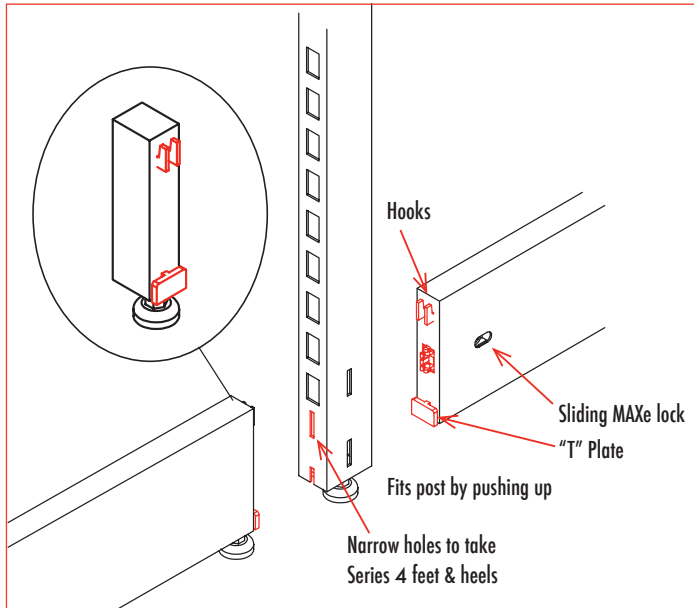


5 Your completed posts will look like this

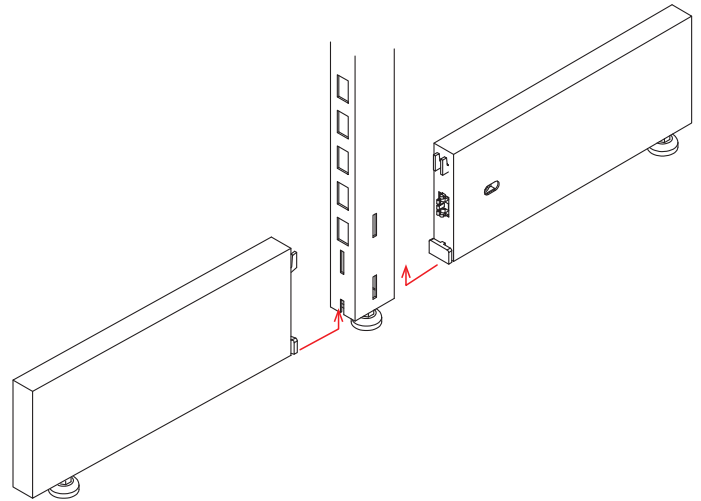


MAX^e SERIES 4 ASSEMBLY INSTRUCTIONS **Double Sided**

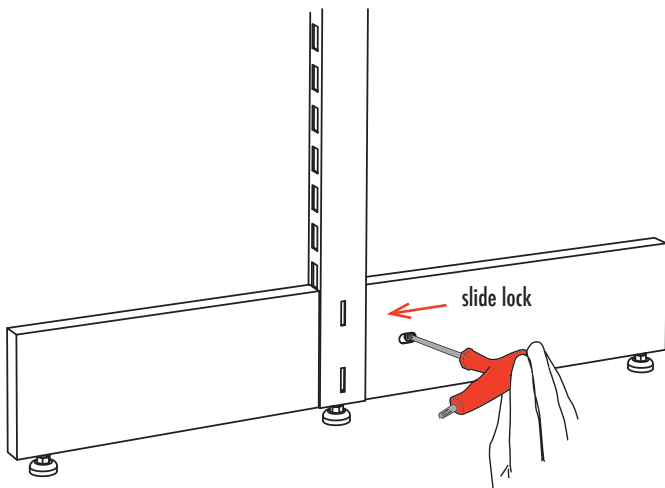
HOW TO CONNECT THE POST TO THE FEET FOR DOUBLE SIDED APPLICATIONS



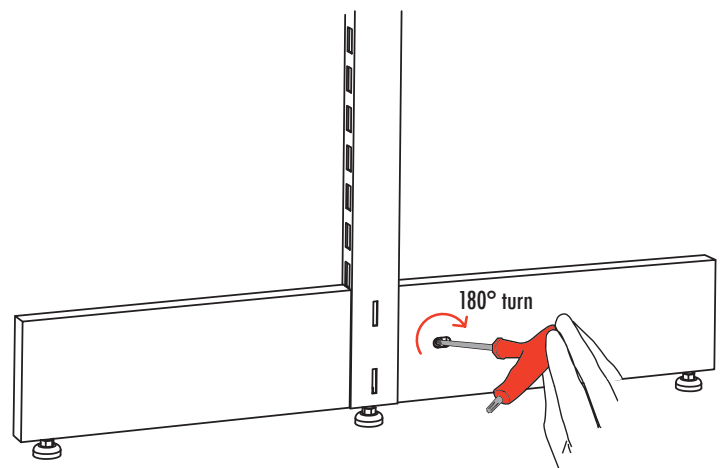
1 Connect the fee to the post as shown below.



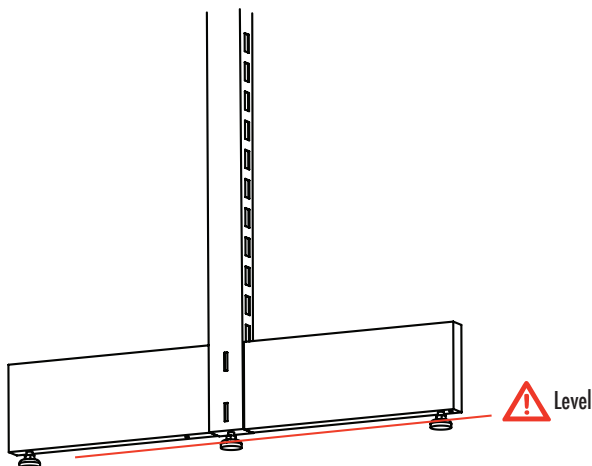
2 Use the MAXe tool to slide the lock in towards the post. Repeat on other foot.



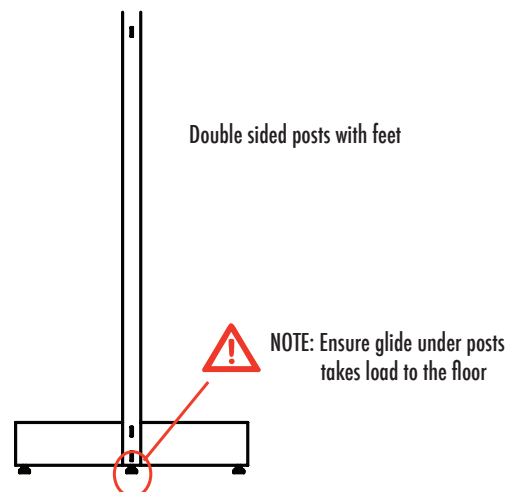
3 Then use the MAXe tool to lock the foot to the post, turn the lock 180° until tight. Repeat for both feet.



4 The feet and post must be flush as shown below



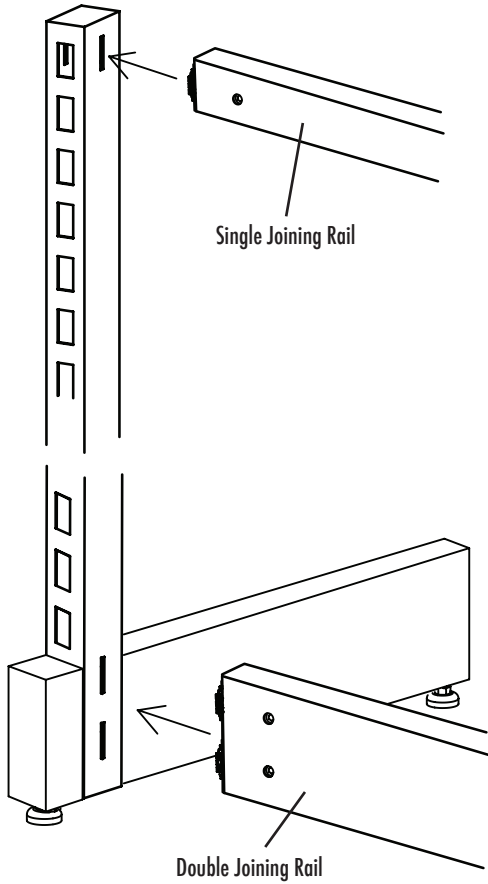
5 Your completed posts will look like this



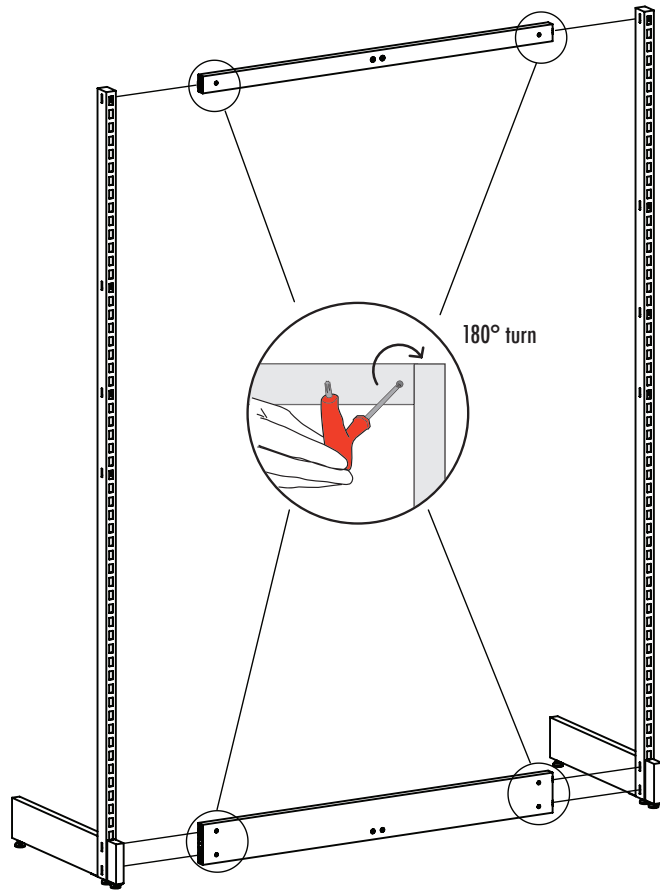
MAXe SERIES 4 ASSEMBLY INSTRUCTIONS **Post To Joining Rail**

POST TO JOINING RAIL CONNECTION

- 1 Once you have the Posts and Feet together you can set up the Joining Rails
First fit the MAXe Lock into the side slot



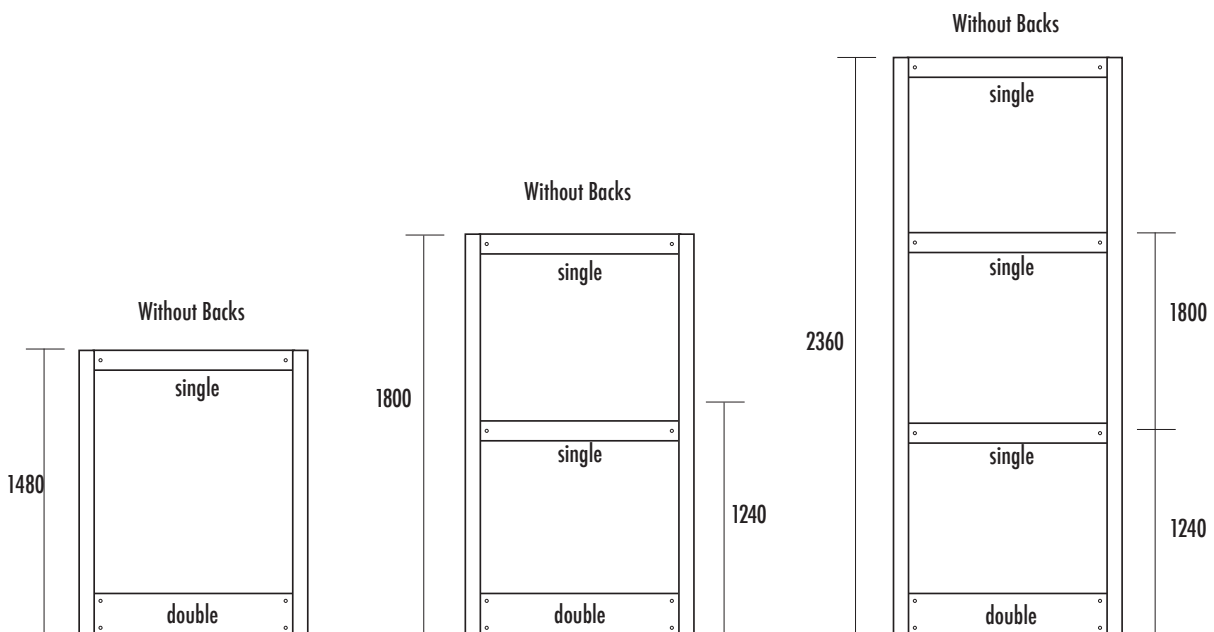
- 2 Use MAXe tool to lock joining rails, Turn 180° clockwise until it is tight



! NOTE: Double Joining Rails are only used at the base of posts

! NOTE: Do up ALL locks

HOW MANY JOINING RAILS TO USE

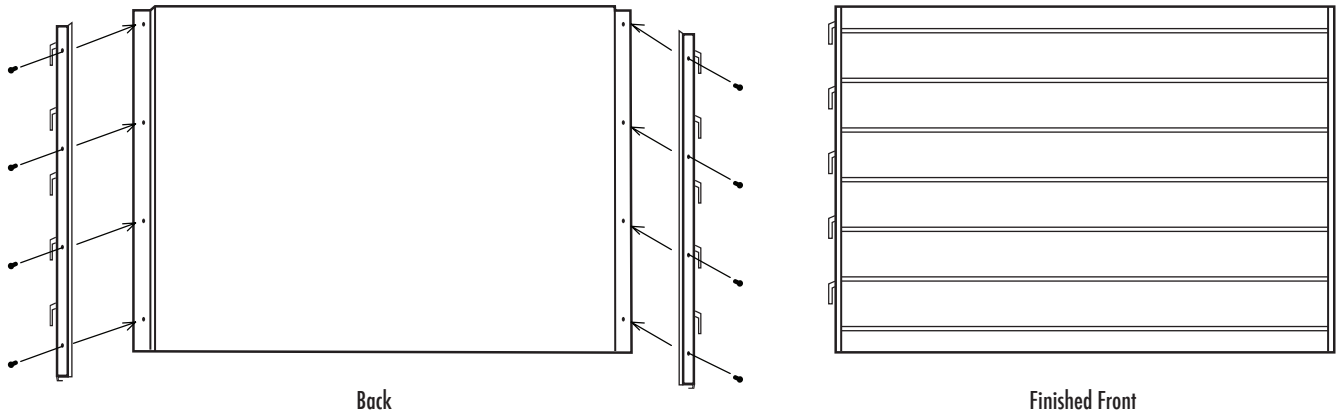


MAXe[®] SERIES 4 ASSEMBLY INSTRUCTIONS **Back Panels To Post**

FITTING MAXe SLOT SYSTEM BRACKETS TO TIMBER BACKS

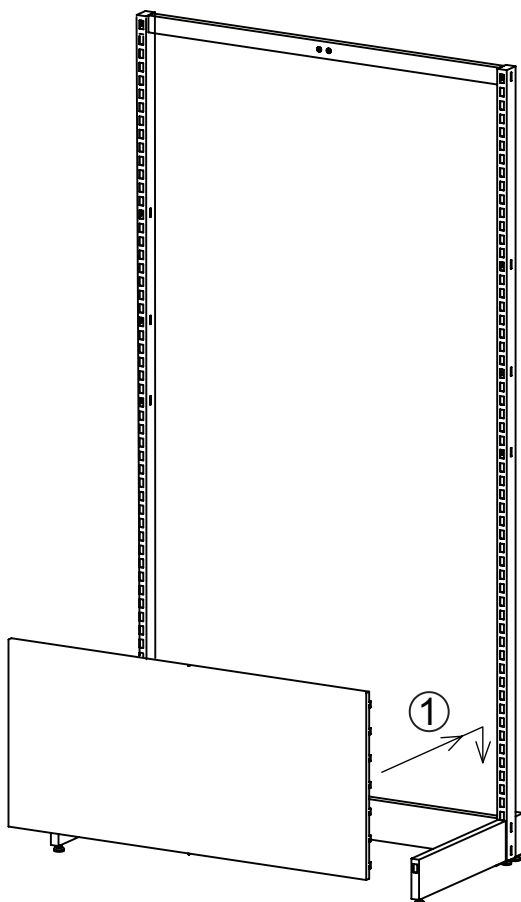
- Large Slot System Laminated Timber Panels (E8006, E8009, E8012) use large bracket sets (E8005)
- Small Slot System Laminated Timber Panels (E8106, E8109, E8112) use small bracket sets (E8002)

1 Screw the brackets into the back of the panels as shown below



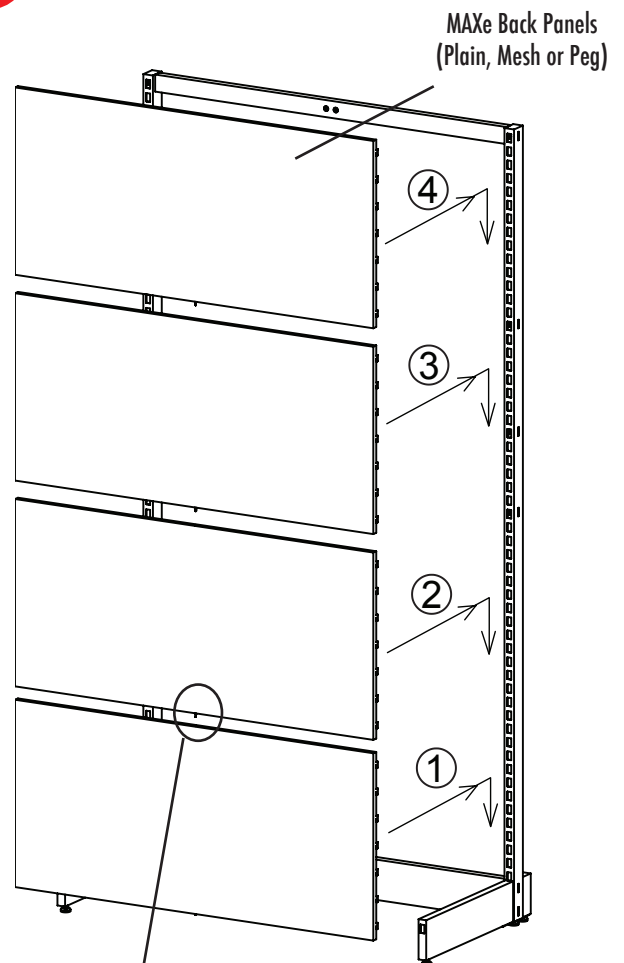
FITTING MAXe BACKS TO POSTS

2 Start at the base and hook the panels into the slots, as shown below



 **NOTE:** Bottom panel must finish level with top of foot

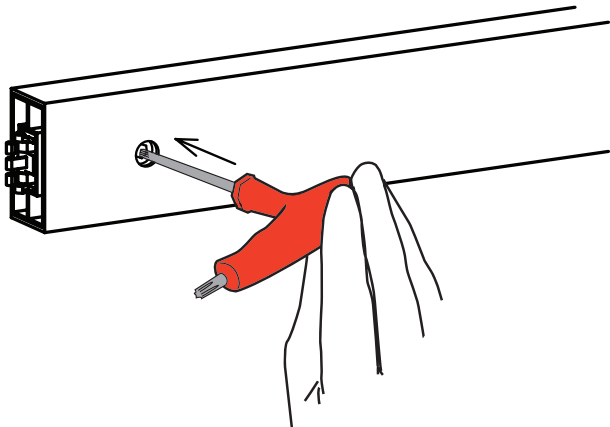
3 Then continue up the posts as shown below.



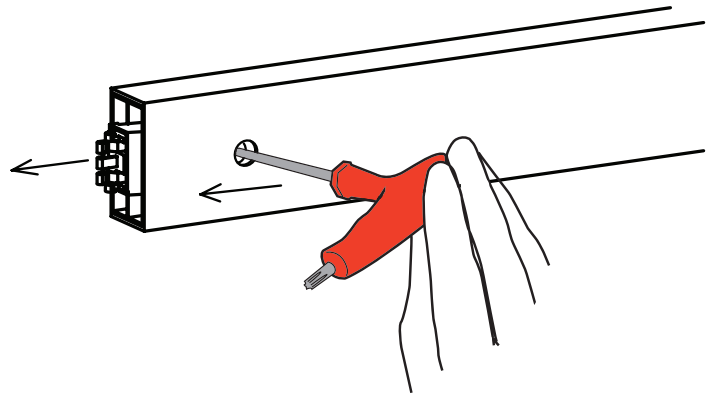
Ensure the pin engages with hole in panel below

HOW TO REPLACE DAMAGED MAXe LOCKS JOINING RAIL

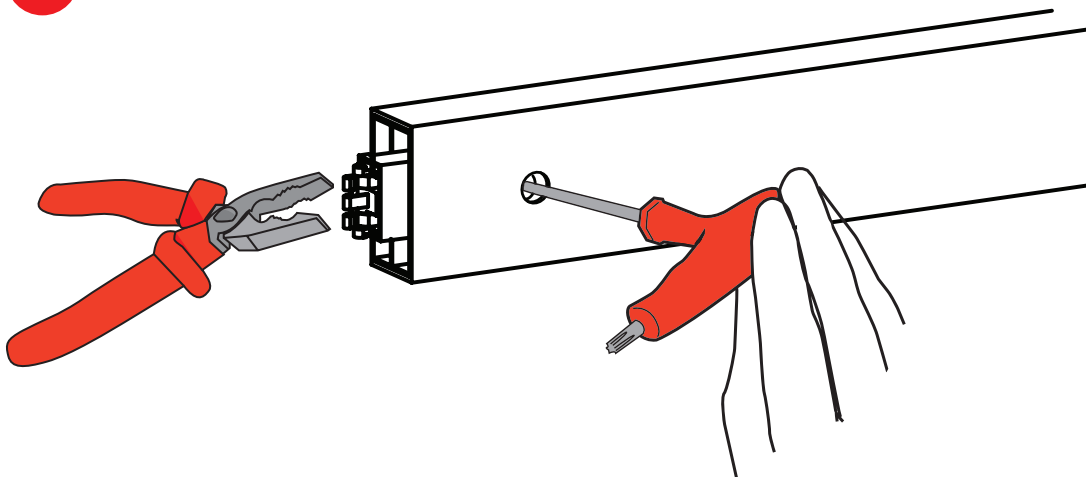
1 Using the MAXe Tool - Push the lock down and hold



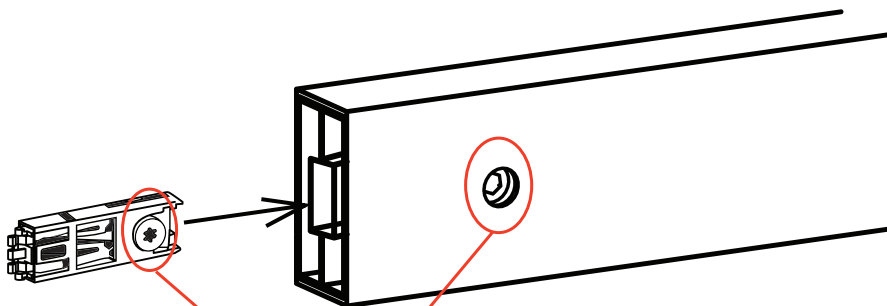
2 Slide the lock forward as shown below



3 Using pliers - grab the MAXe Lock and pull it out



4 Slide the new MAXe Lock into the hole
MAKE SURE THE MAXe LOCK FACES HOLE LOCATION



NOTE: Make sure the lock and the hole face the same side