

## Fixed end bay sets

Fixed end bay set 1480 mm H

*M10 thread at base of posts allows for optional castors. Castors can be found on page 35. Bracing plate included.*

900 mm bay  
E0619.4

**WTS** White sand

**BKS** Black sand

Quantity	Saving	Each inc GST
1-9	-	\$170.00
10-49	10%	\$152.50
50+	20%	\$135.00

**Reward pricing** Each inc GST

**G** \$135.00 **S** \$152.50

**CH** Chrome

Quantity	Saving	Each inc GST
1-9	-	\$200.00
10-49		\$177.50
50+		\$155.00

**Reward pricing** Each inc GST

**G** \$155.00 **S** \$177.50

600 mm bay  
E0616.4

**WTS** White sand

**BKS** Black sand

Quantity	Saving	Each inc GST
1-9	-	\$150.00
10-49	10%	\$135.00
50+	20%	\$120.00

**Reward pricing** Each inc GST

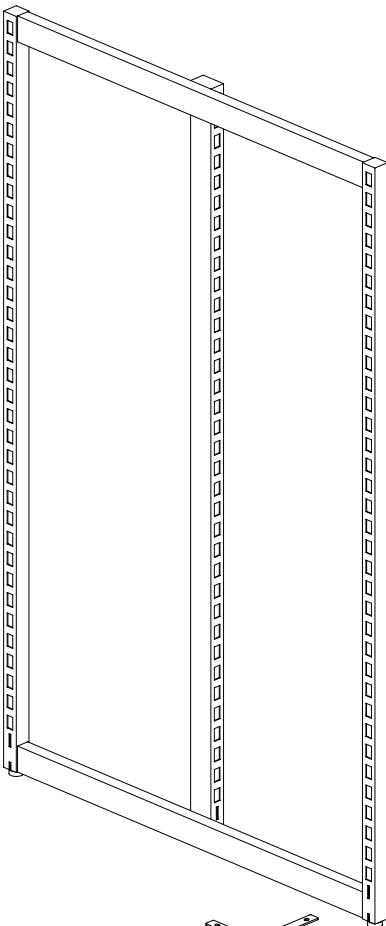
**G** \$120.00 **S** \$135.00

**CH** Chrome

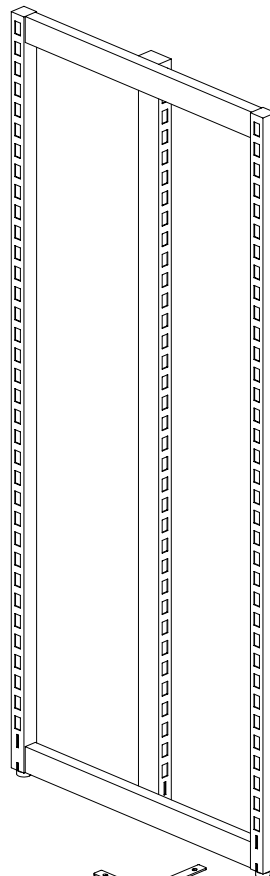
Quantity	Saving	Each inc GST
1-9	-	\$180.00
10-49	11%	\$160.00
50+	22%	\$140.00

**Reward pricing** Each inc GST

**G** \$140.00 **S** \$160.00



**900 mm bay**  
E0619.4

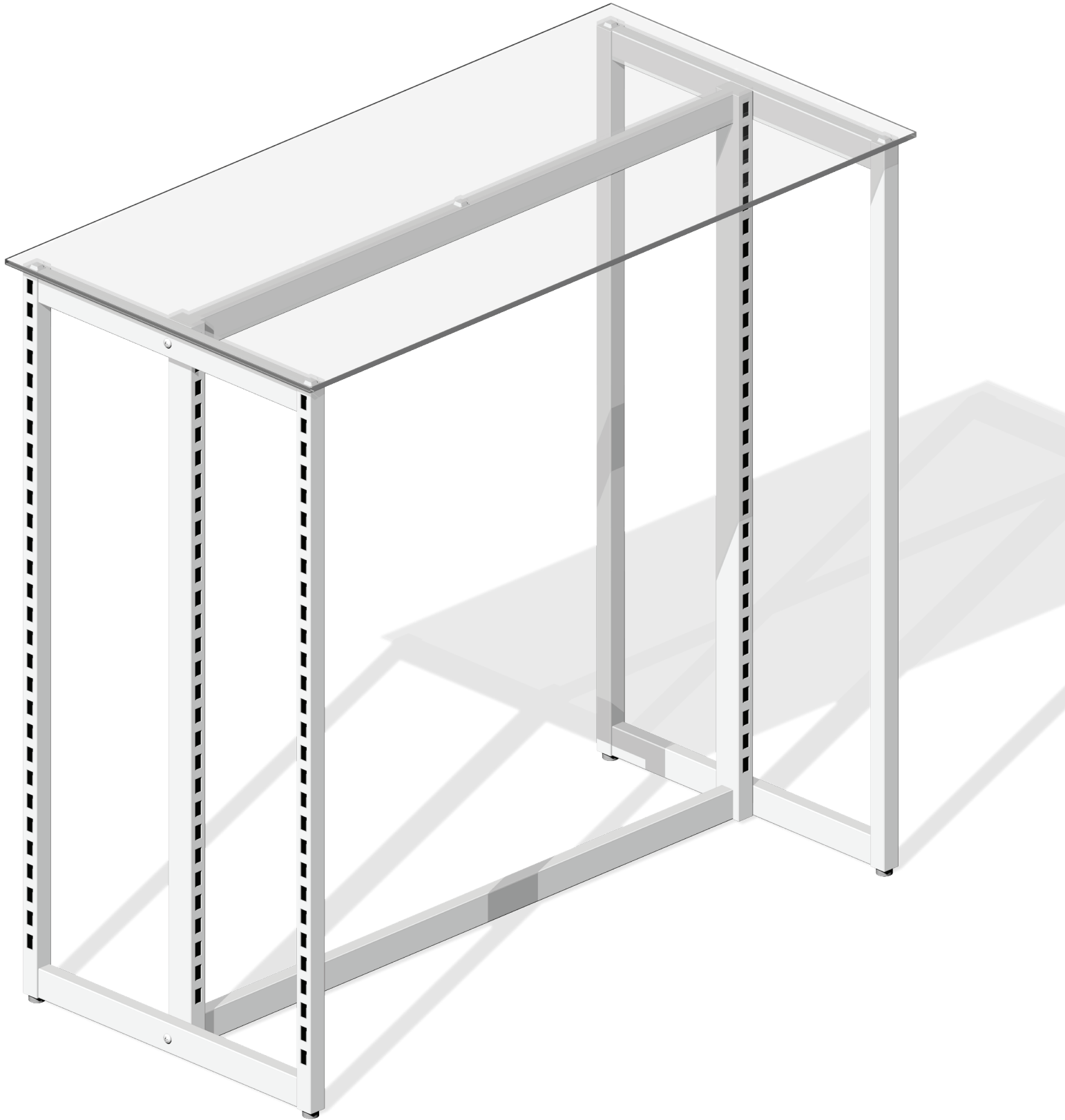


**600 mm bay**  
E0616.4

---

## H frame gondolas

### H frame gondola with glass top



## H frame gondolas

### H frame gondola

1290 W × 632 mm D  
 M10 thread at base of posts  
 allows for optional castors.  
 Castors can be found on  
 page 35.  
 Bracing plates not needed when  
 using castors.

### 1480 mm H E0614.4

**WTS** White sand

**BKS** Black sand

Quantity	Saving	Each inc GST
1-9	–	\$329.00
10-49	12%	\$289.00
50+	24%	\$249.00

**Reward pricing** Each inc GST

**G** \$249.00 **S** \$289.00

**CH** Chrome

1-9	–	\$389.00
10-49	9%	\$354.00
50+	17%	\$319.00

**Reward pricing** Each inc GST

**G** \$319.00 **S** \$354.00

### 1240 mm H E0613.4

**WTS** White sand

**BKS** Black sand

Quantity	Saving	Each inc GST
1-9	–	\$299.00
10-49	13%	\$259.50
50+	26%	\$220.00

**Reward pricing** Each inc GST

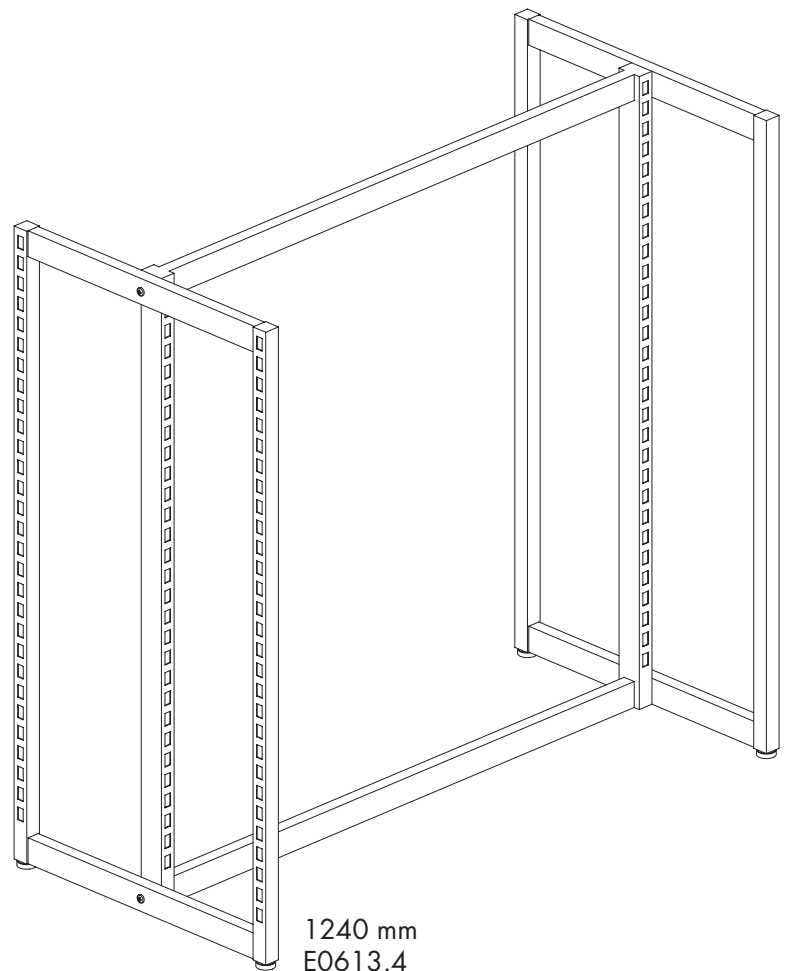
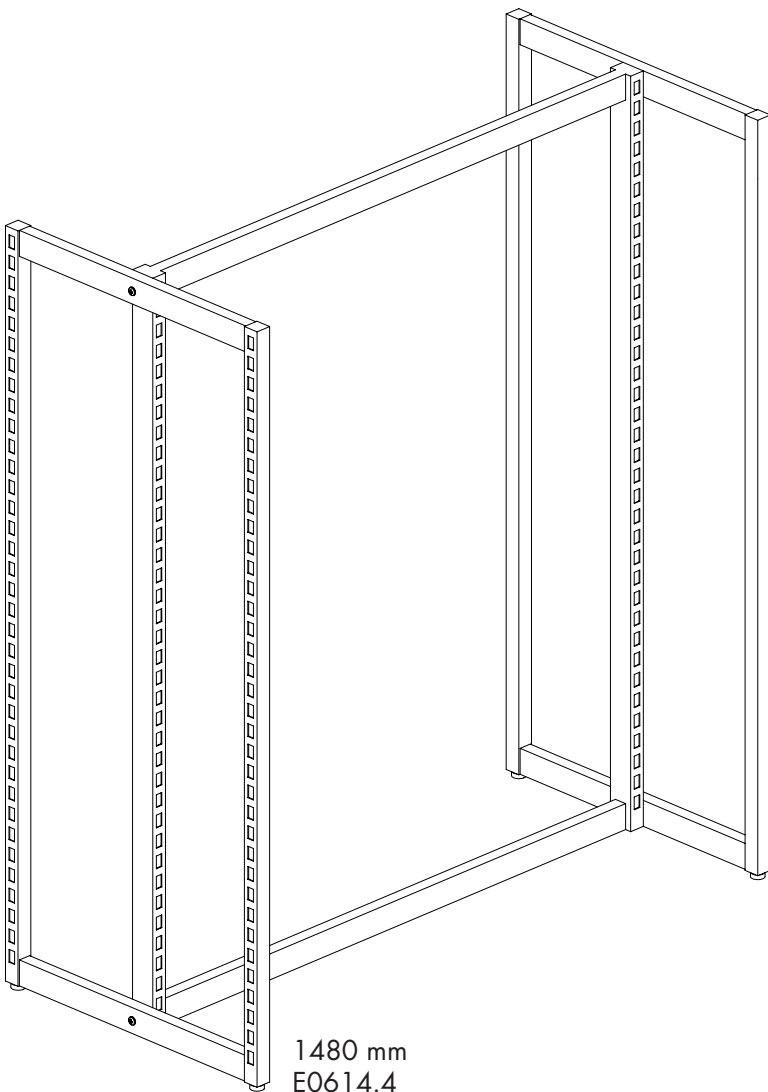
**G** \$220.00 **S** \$259.50

**CH** Chrome

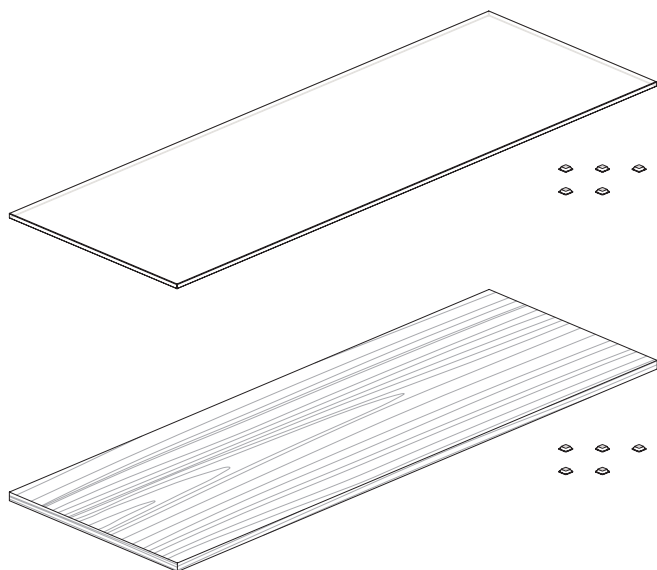
1-9	–	\$349.00
10-49	11%	\$309.00
50+	22%	\$269.00

**Reward pricing** Each inc GST

**G** \$269.00 **S** \$309.00



## H frame gondola tops



### H frame gondola top - small

1285 W x 450 mm D.  
10 mm thick tempered glass.  
18 mm thick oak veneer.  
18 mm thick laminate.  
For use on H frame gondola.  
Bumpers included.

**PY** Ply

**CG** Clear glass

Quantity	Saving	Each inc GST
1-4	–	\$75.00
5-19	6%	\$70.00
20+	13%	\$65.00

**Reward pricing** Each inc GST

**G** \$65.00 **S** \$70.00

### E6813.4

**OAK** Natural oak

Quantity	Saving	Each inc GST
1-4	–	\$185.00
5-19	10%	\$165.00
20+	21%	\$145.00

**Reward pricing** Each inc GST

**G** \$145.00 **S** \$165.00

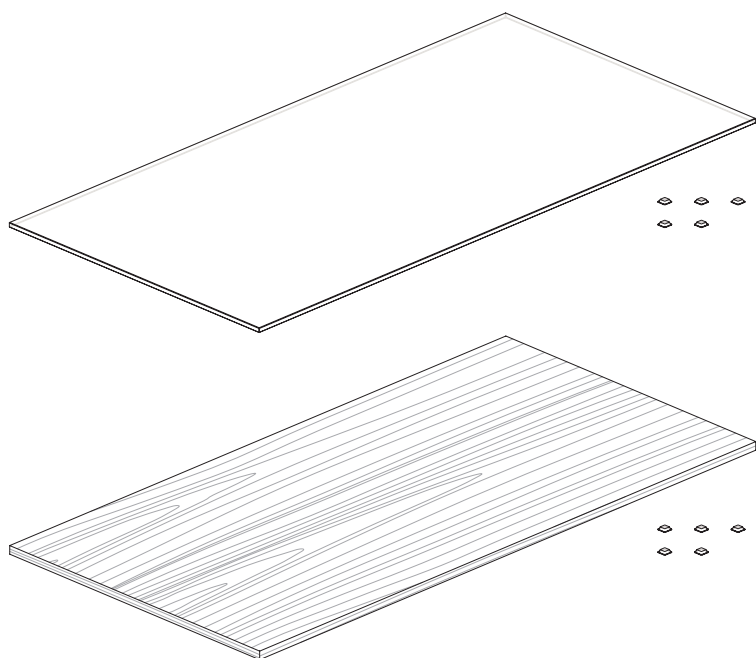
**WH** White

**BK** Black

Quantity	Saving	Each inc GST
1-4	–	\$66.00
5-19	10%	\$59.00
20+	21%	\$52.00

**Reward pricing** Each inc GST

**G** \$52.00 **S** \$59.00



### H frame gondola top - large

1330 W x 670 mm D.  
10 mm thick tempered glass.  
18 mm thick oak veneer.  
18 mm thick laminate.  
For use on H frame gondola.  
Bumpers included.

**CG** Clear glass

Quantity	Saving	Each inc GST
1-4	–	\$110.00
5-19	9%	\$100.00
20+	18%	\$90.00

**Reward pricing** Each inc GST

**G** \$90.00 **S** \$100.00

### E6913.4

**OAK** Natural oak

Quantity	Saving	Each inc GST
1-4	–	\$295.00
5-19	5%	\$280.00
20+	10%	\$265.00

**Reward pricing** Each inc GST

**G** \$265.00 **S** \$280.00

**WH** White

**BK** Black

**PY** Ply

Quantity	Saving	Each inc GST
1-4	–	\$99.00
5-19	9%	\$89.50
20+	19%	\$80.00

**Reward pricing** Each inc GST

**G** \$80.00 **S** \$89.50