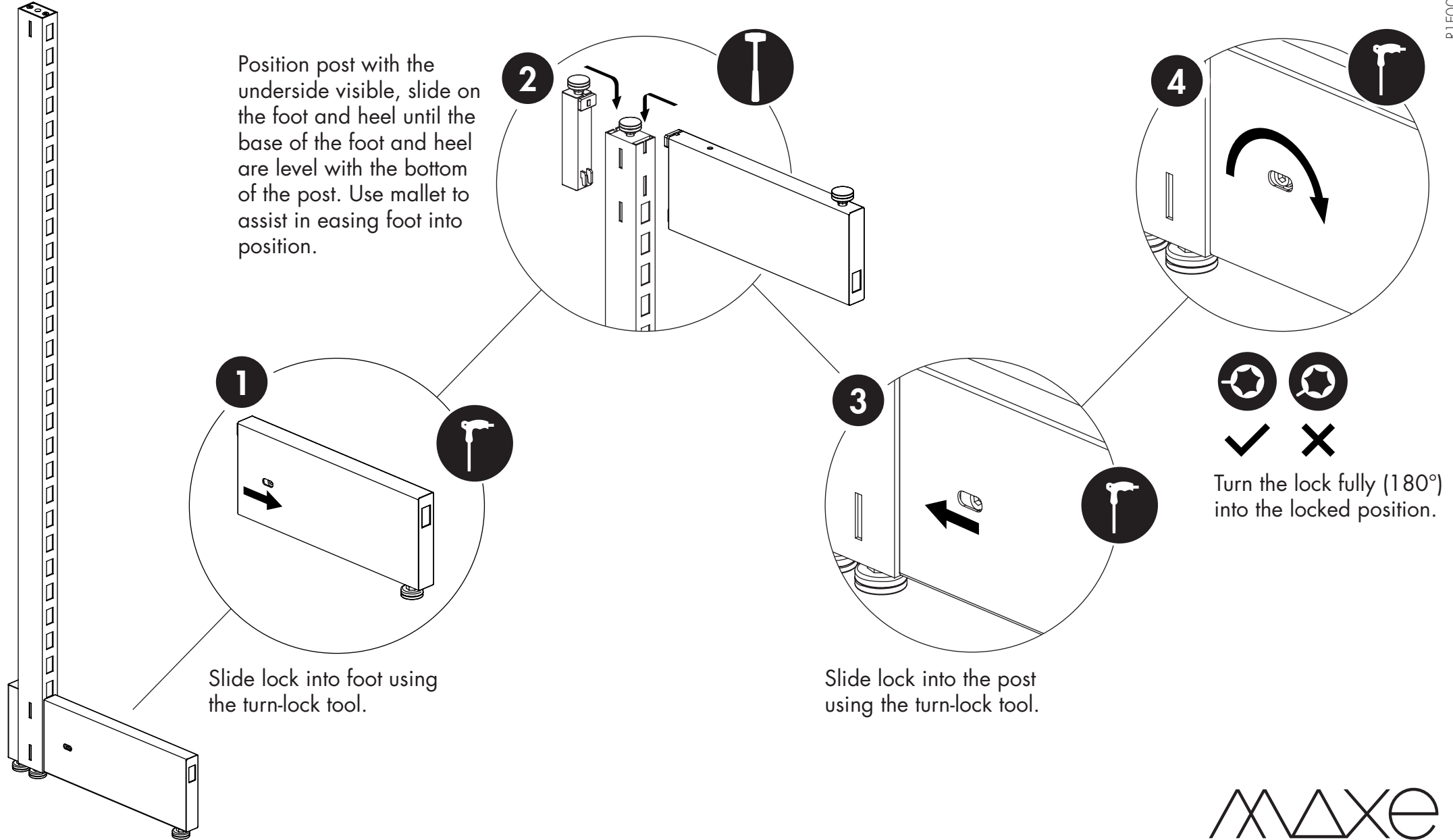


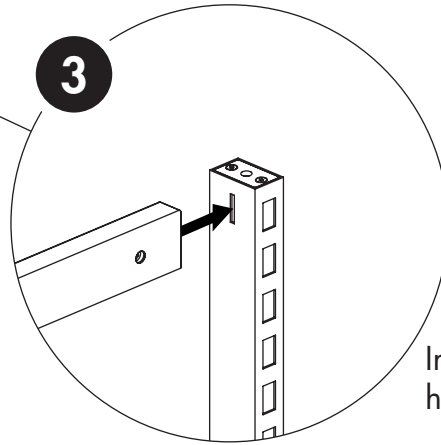
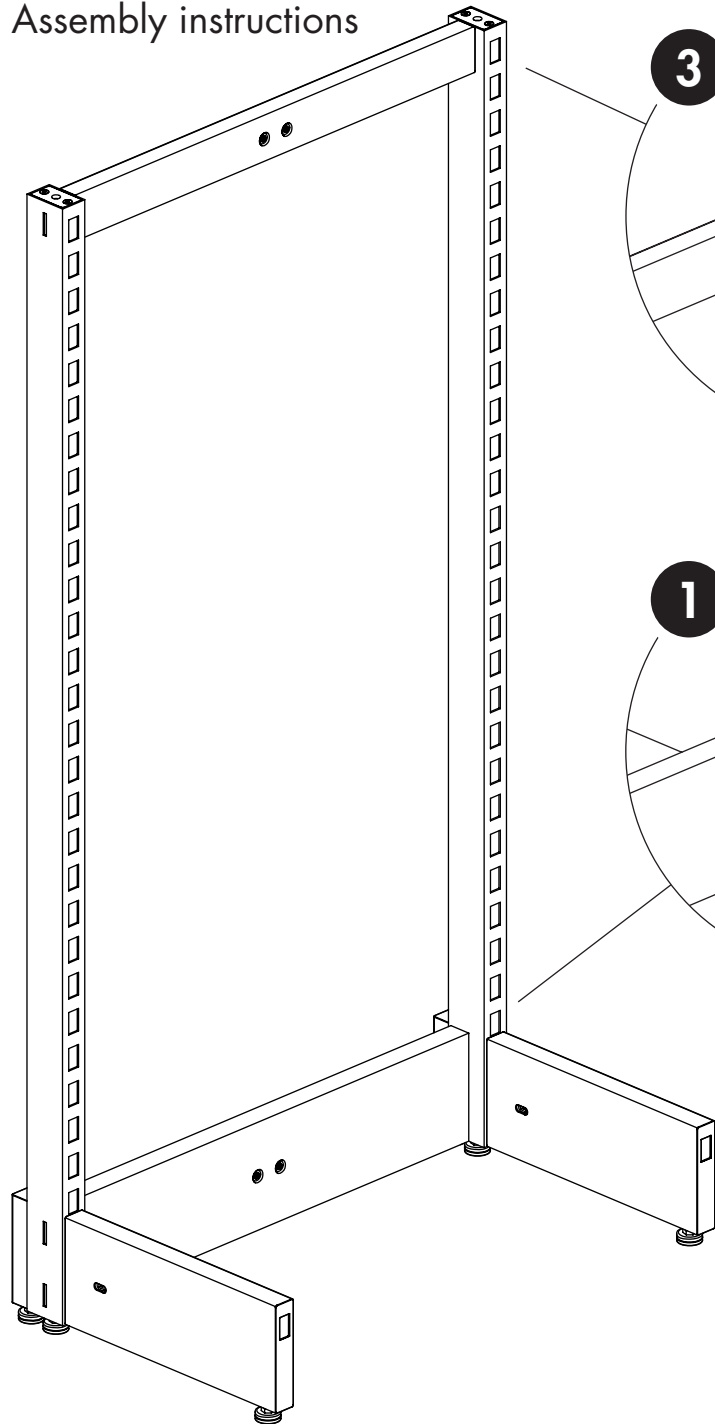
# Feet & heels

## Assembly instructions

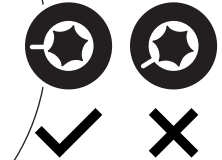
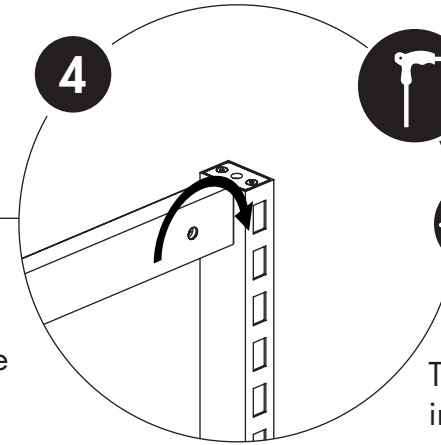


# Joining rails

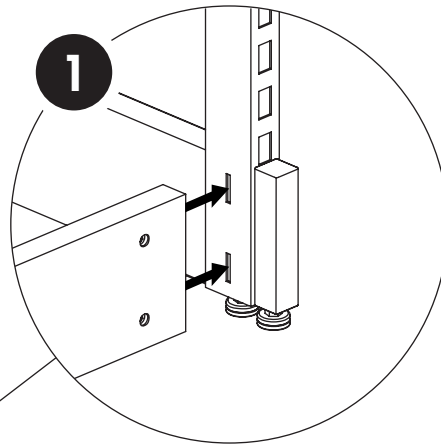
Assembly instructions



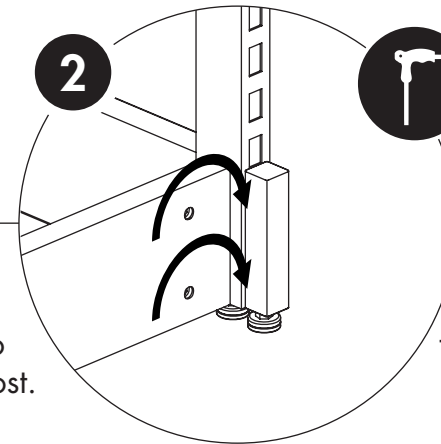
3  
Insert the lock into the hole on the post.



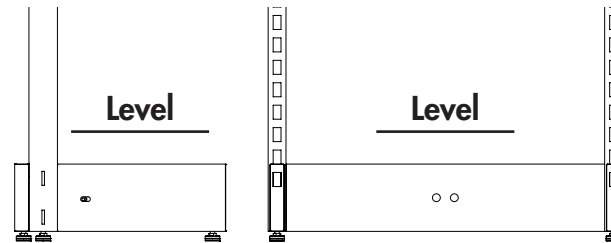
4  
Turn the lock fully (180°) into the locked position.



1  
Start with the base joining rail. Insert the locks into the holes on the post.



2  
Turn the locks fully (180°) into the locked position.



### Important

Ensure the glides under posts take load to the floor and the unit is level in all directions by adjusting the glides under posts, feet and heels.

